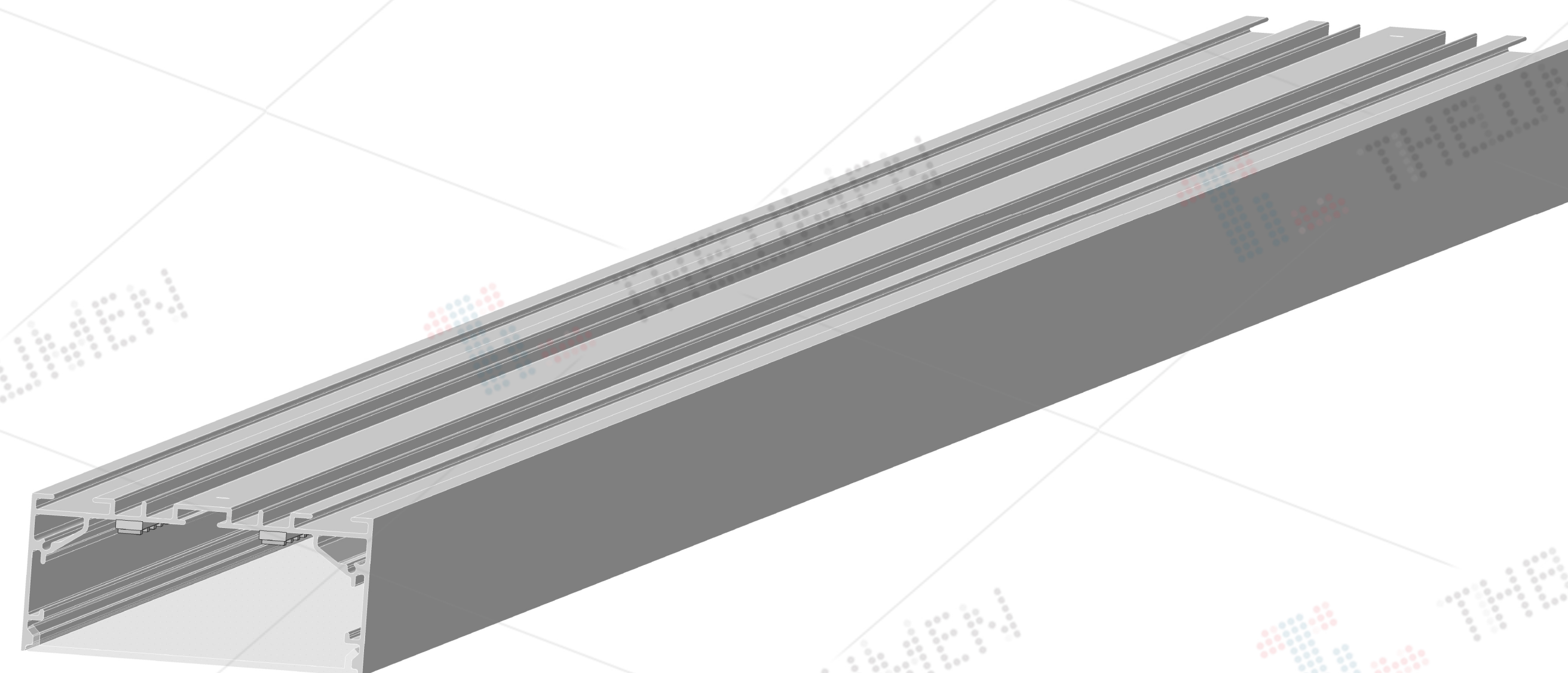
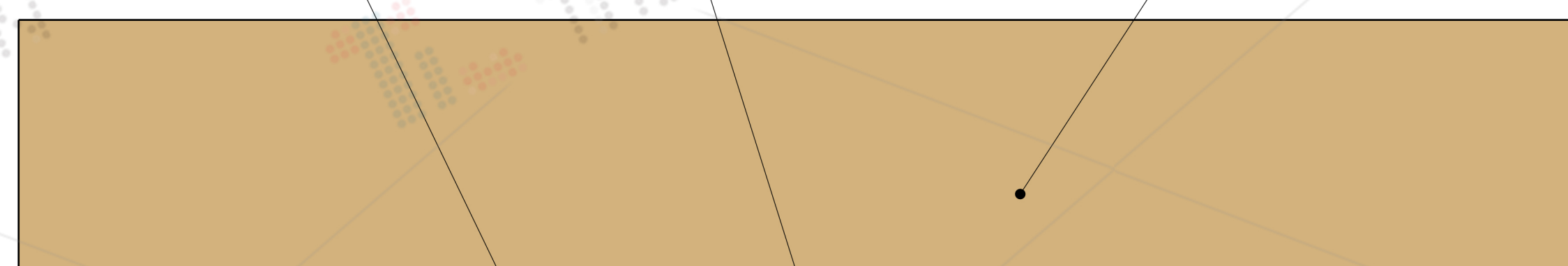


정면도

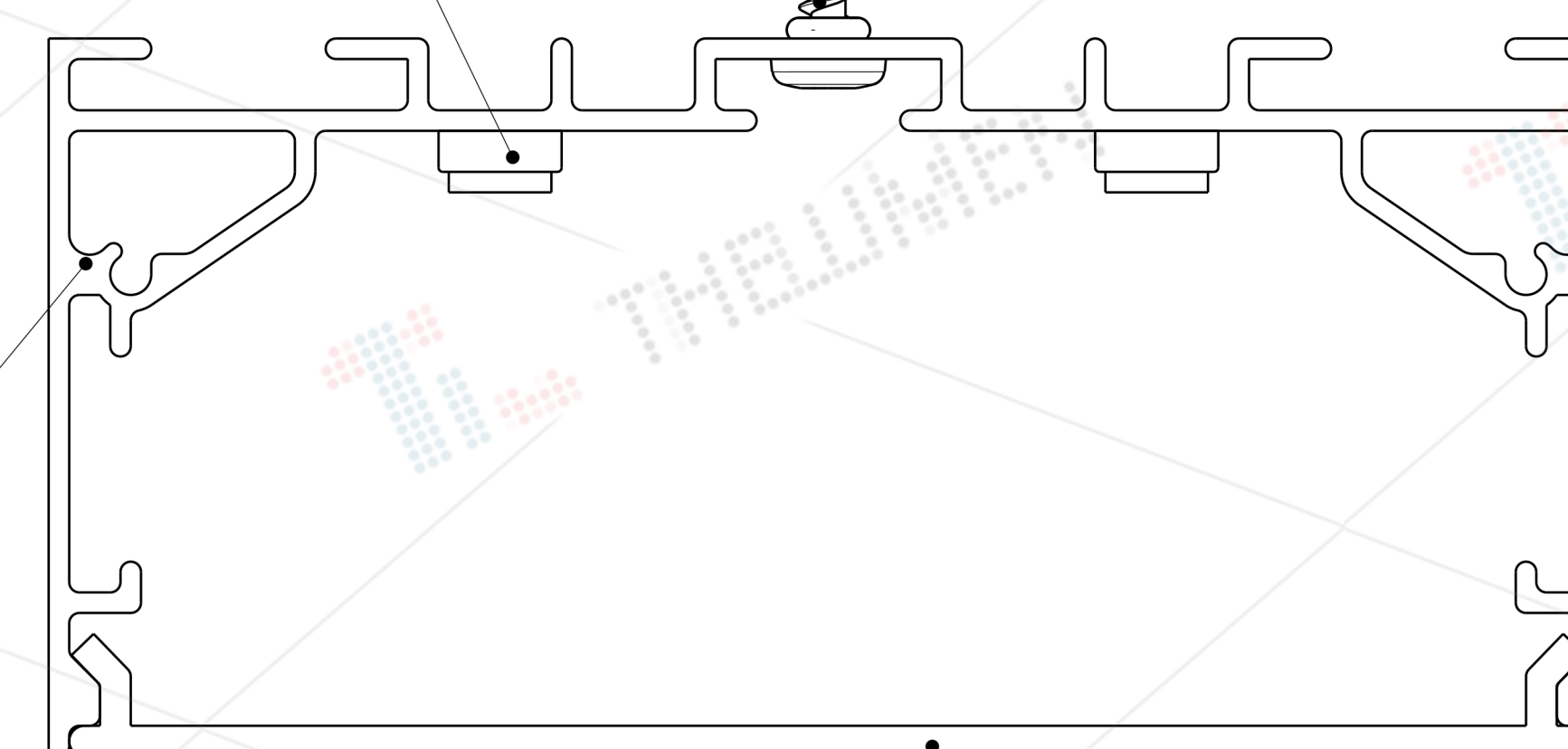


3D VIEW

LED BAR SCREW WALL STRUCTURE

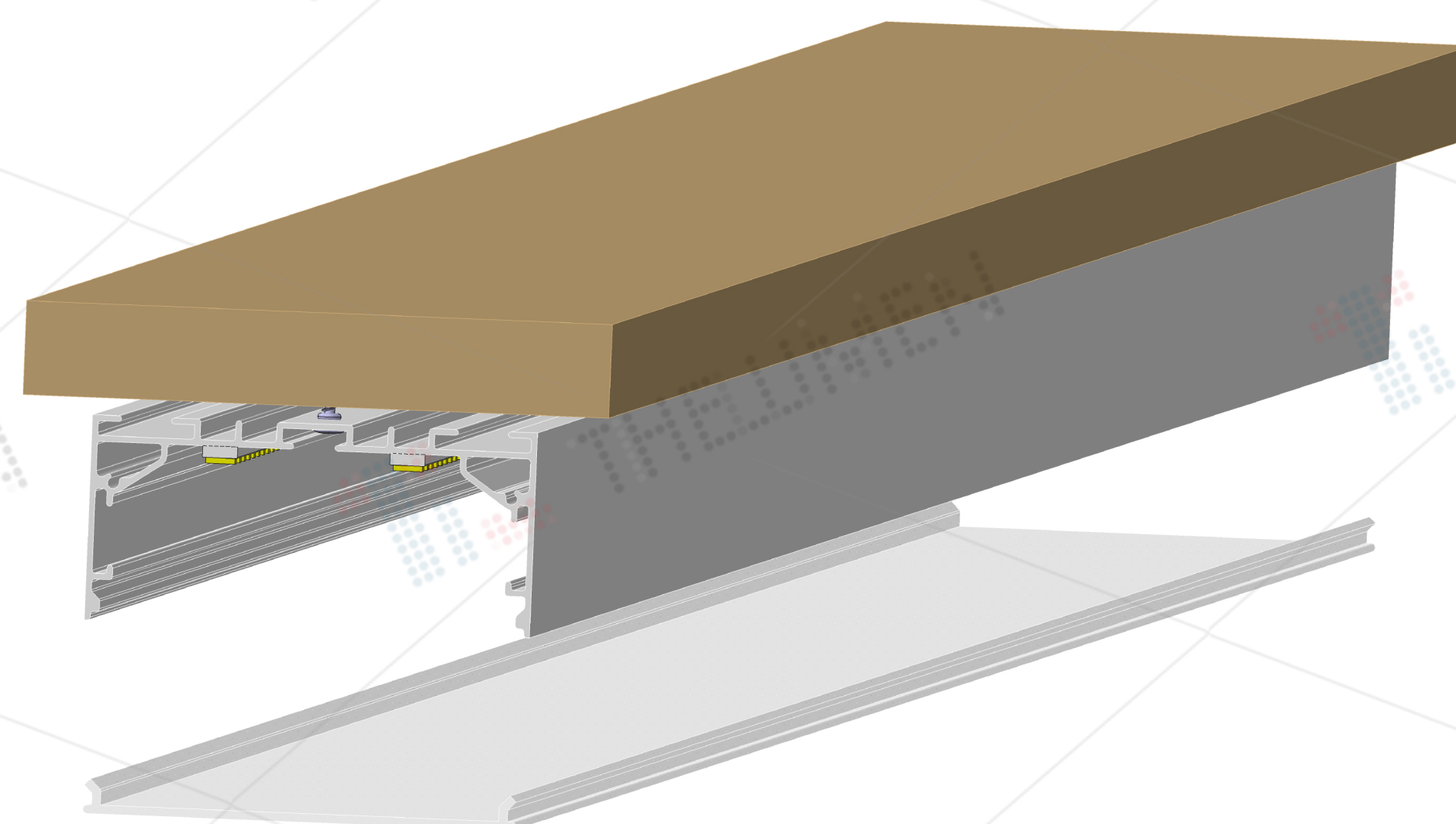
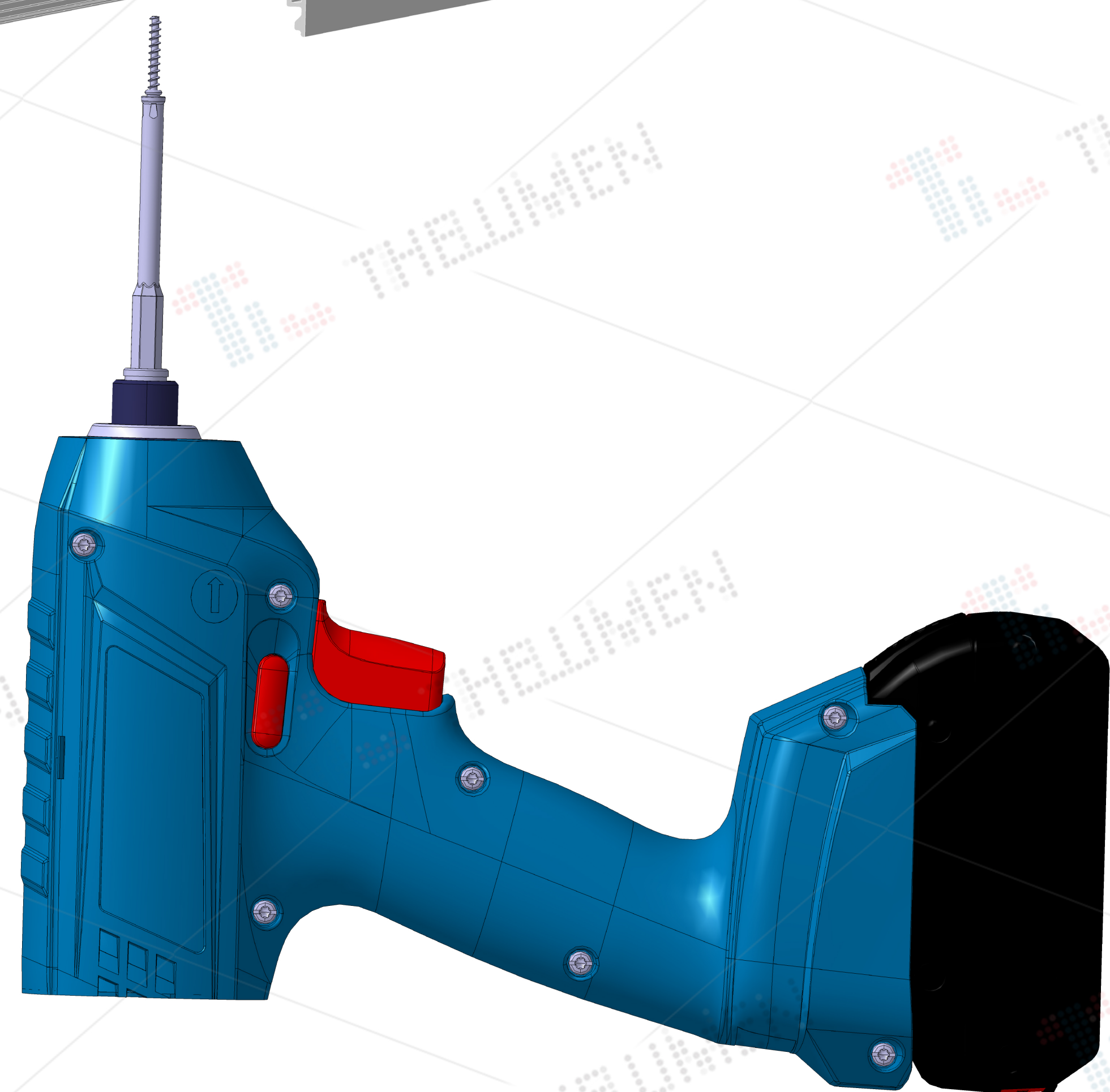
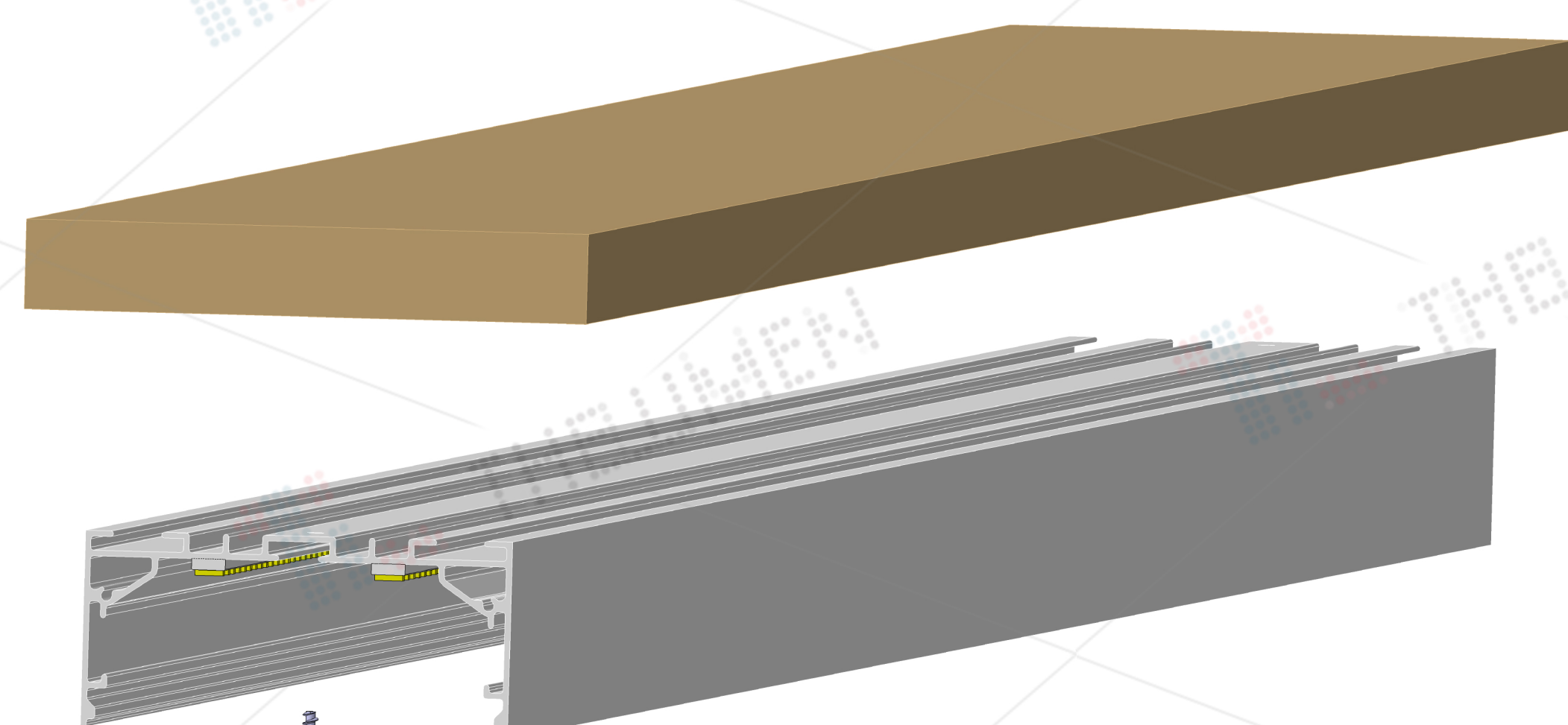


HEAT PROOF PLATE

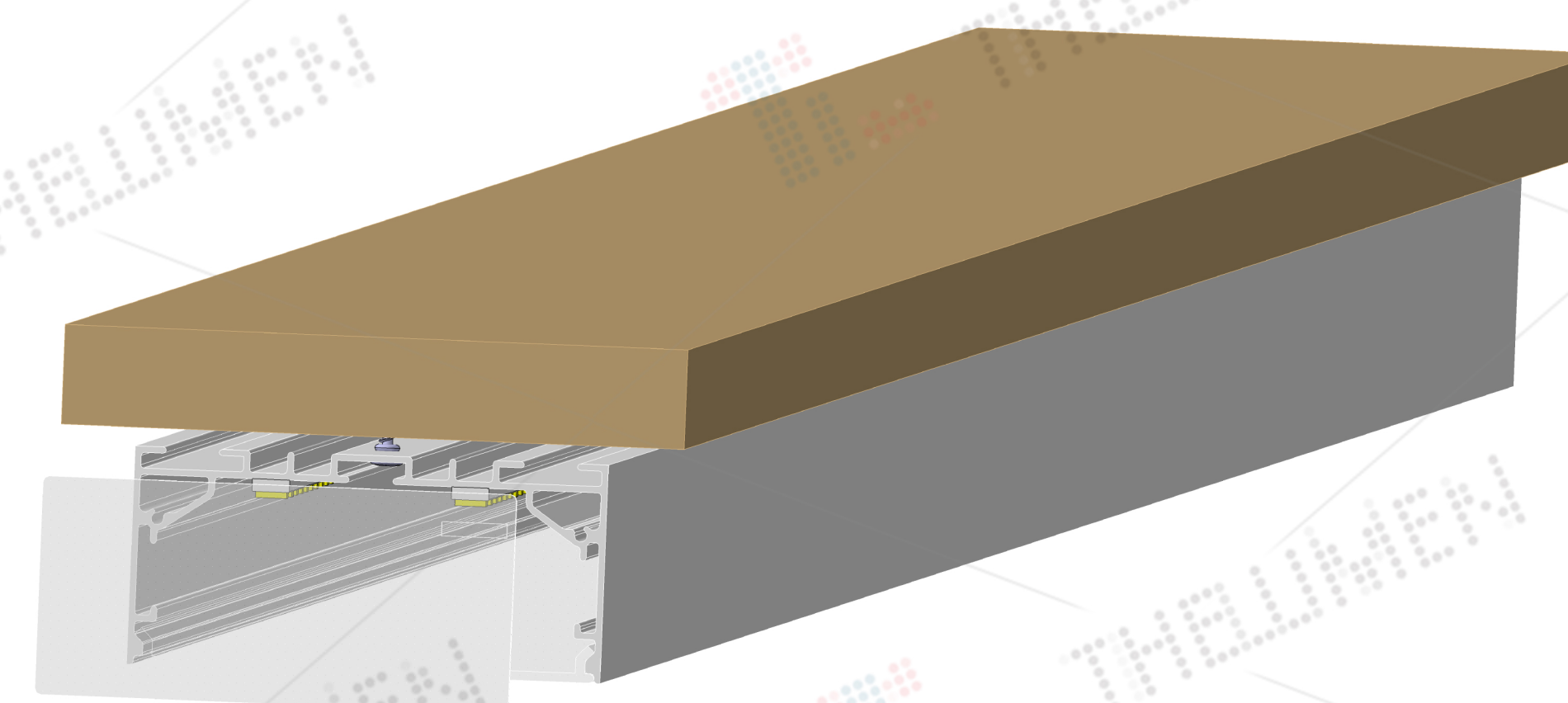


PC COVER

조립 부품 명칭



① HEAT PROOF PLATE와 스크류 상부에 체결



② PC COVER 조립

<small>This drawing is our property. It can't be reproduced or communicated without our written agreement.</small>			
DRAWN BY	DATE	DRAWING TITLE	
J.Y.KIM	2018-05-06	TL7635	
CHECKED BY	DATE	SIZE	DRAWING NUMBER
-	-	A0	7635-0020
APPROVED BY	DATE	SCALE	WEIGHT(kg)
K.G.HAN	2018-05-06	(1:1)	-
		SHEET	1/1